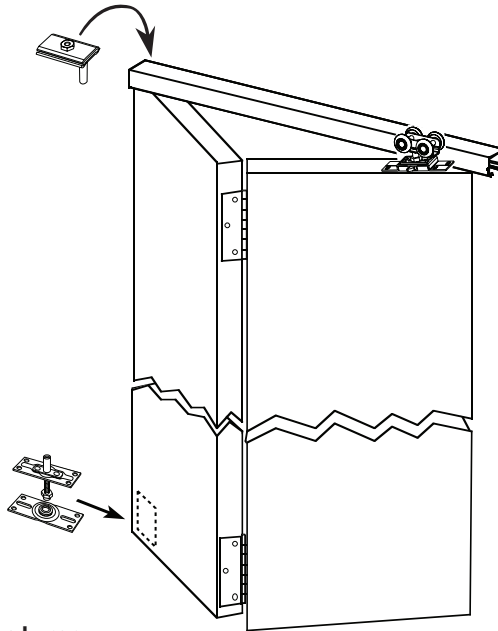


BiFold Hardware

BF125N

125 lb. Panel Bifold

For installation of 2 panels weighing up to 125 lbs. each or multi-panels weighing up to 75 lbs. each, 1 1/8" to 1 3/4" thick. For thicker panels, consult factory.



Features

- Large ball bearing wheels provide smooth action
- Easy-to-install snap-in feature makes hangers a "snap" to install
- Durable V-groove aluminum track provides smooth, quiet operation
- All metal components zinc plated to guard against corrosion
- Heavy duty pivot set designed for durability and aesthetics

ANSI Reference

- BF125N conforms to ANSI A156.14 type D8621, D8641, D8651, D8661

Cross Reference

- STANLEY 2700 series • Cox 42-200 • Grant 1260
- Hager 9870 • Johnson 200 FD/RD
 - Lawrence 570 Track w/ED 620/640
- Sterling 1870

Sizing Information

To determine panel width:

Panel width = known finished opening width divided by number of panels, less 1/4"

To determine opening width:

Opening width = known finished panel width plus 1/4", multiplied by number of panels

Door height = 2 3/4" less than finished opening height

Note: For multi-panel sizing information please contact factory.

Installation Detail

