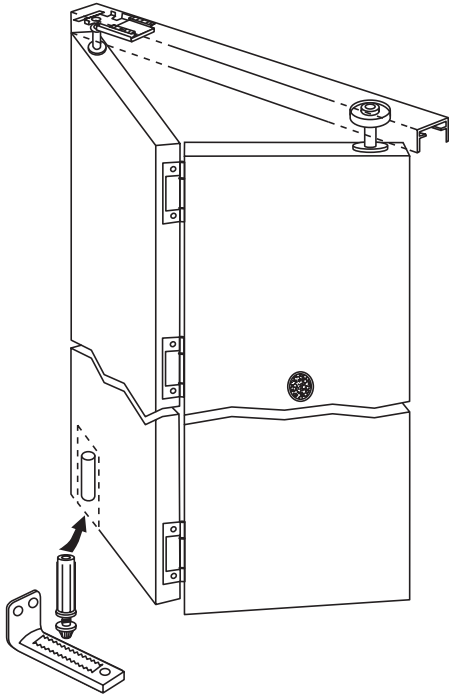


BiFold Hardware

BF30

30 lb. Panel Bifold

For installation of 2 or 4, $\frac{7}{8}$ " to $1\frac{3}{8}$ " thick panels weighing up to 30 lbs. each.



Features

- Spring loaded top pivot and roller guide for easy installation
- Permanently lubricated roller guide
- Durable pre-painted track
- All metal components galvanized against corrosion

ANSI Reference

D8662

14 type D8622,

Cross Reference

- STANLEY 2400/2900 series • Cox 43/48
- Hager CD-2670 • Lawrence C 620/640
- Johnson 1838 • Sterling 1540/9000

Sizing Information

Finished Opening/Panel Dimensions

To determine panel width:

Panel width = known finished opening width divided by number of panels, less $\frac{1}{4}$ "

To determine opening width:

Opening width = known finished panel width plus $\frac{1}{4}$ ", multiplied by number of panels

Door height = $1\frac{5}{8}$ " less than finished opening height

Installation Detail

